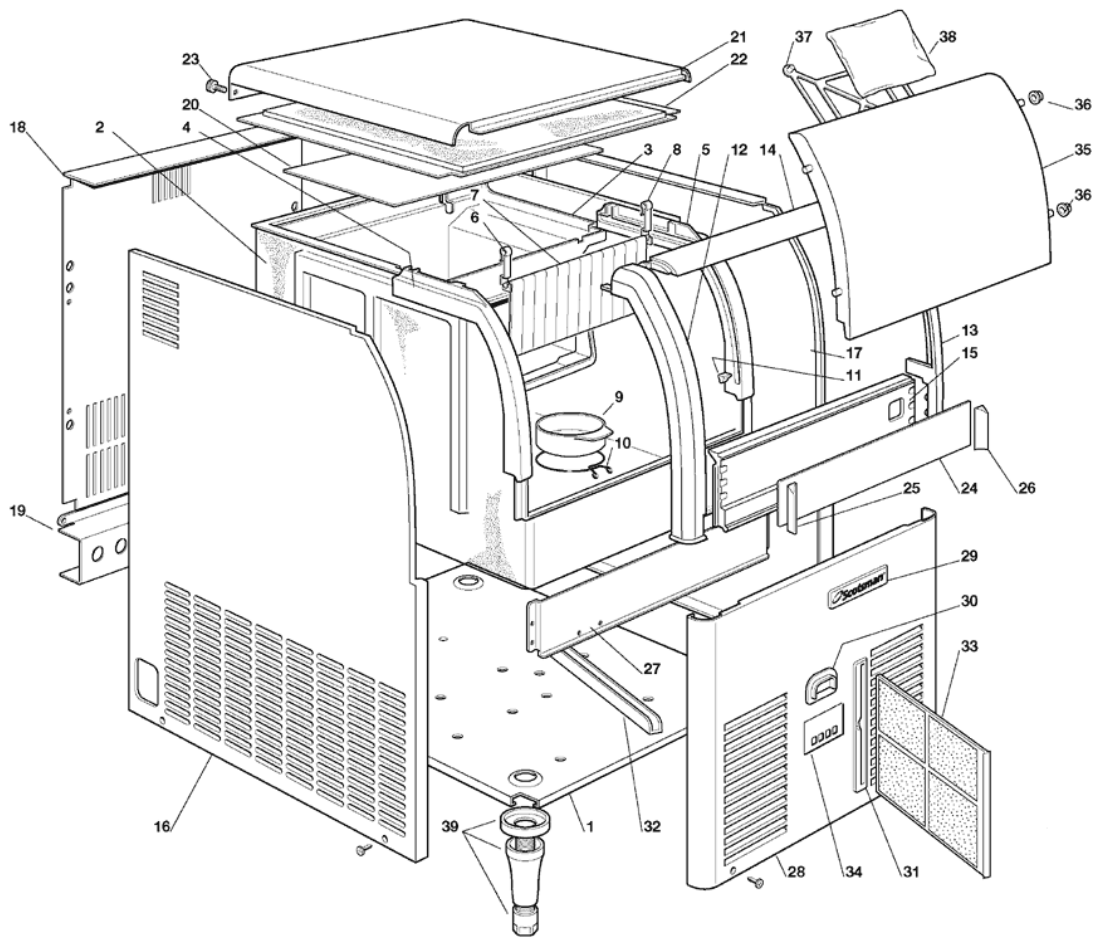
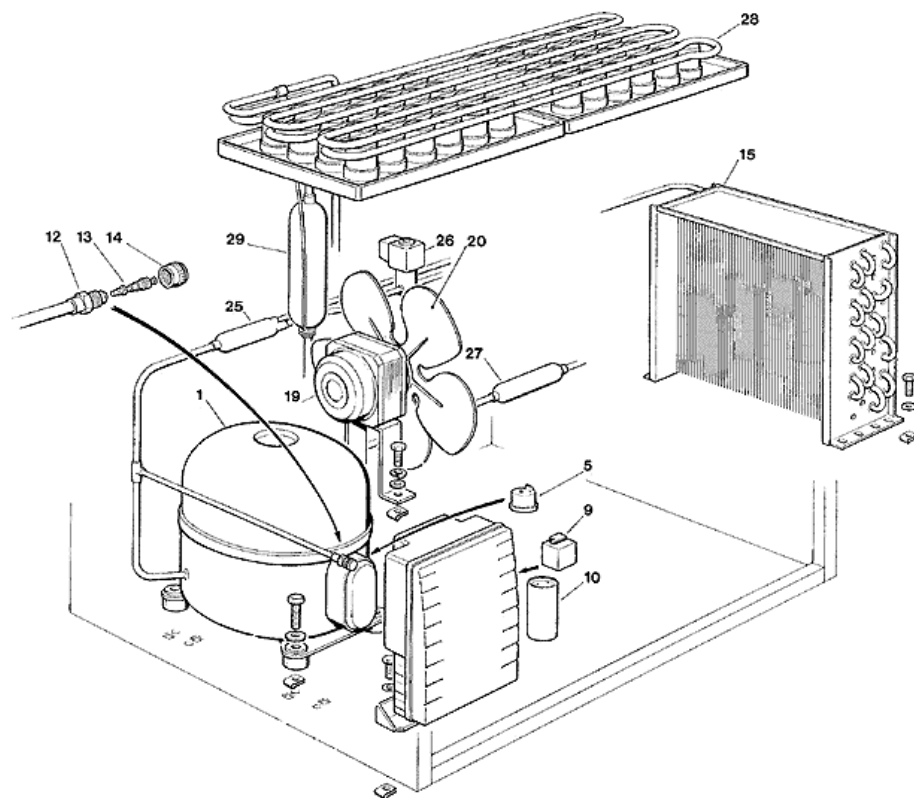


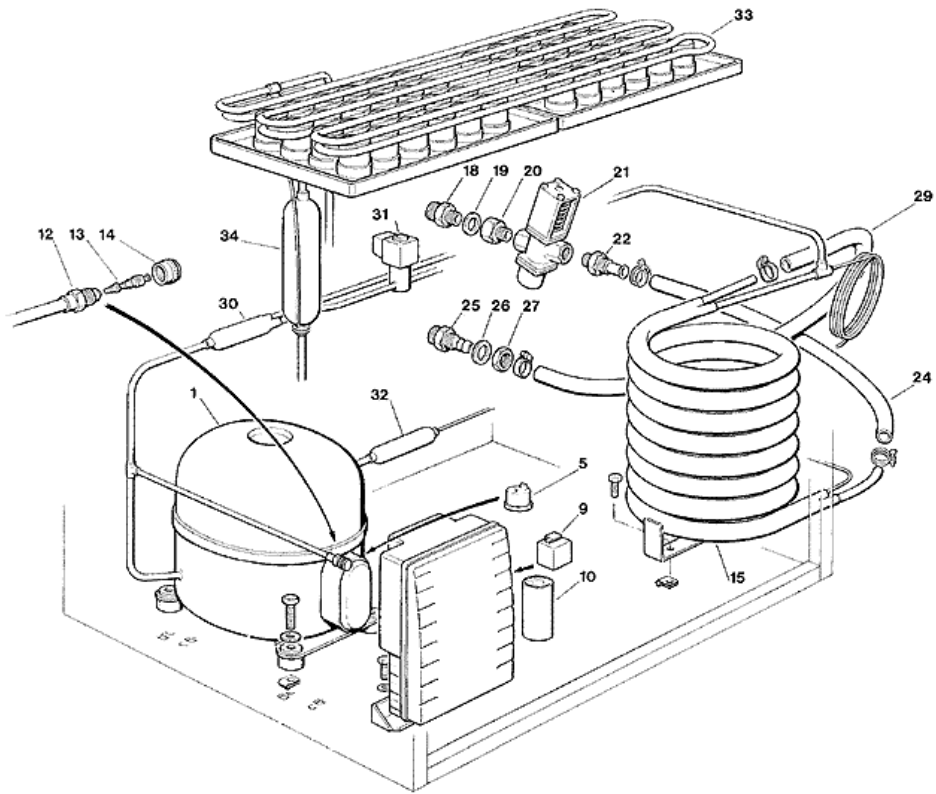
- 1 - UNIT PANELS
- 2 - REFRIGERANT SYSTEM AIR COOLED
- 3 - REFRIGERANT SYSTEM WATER COOLED
- 4 - WATER SYSTEM - SMALL CUBE
- 5 - WATER SYSTEM - MEDIUM CUBE
- 6 - WATER SYSTEM - LARGE CUBE
- 7 - CONTROL BOX AND P.C. BOARD - UP TO S.N. 02006
- 8 - CONTROL BOX AND P.C. BOARD ASSY - FROM S.N. 02007 TO S.N. 02931
- 9 - CONTROL BOX AND P.C. BOARD ASSY - FROM S.N. 02932 TO S.N. 03710
- 10 - CONTROL BOX AND P.C. BOARD ASSY - FROM S.N. 03711



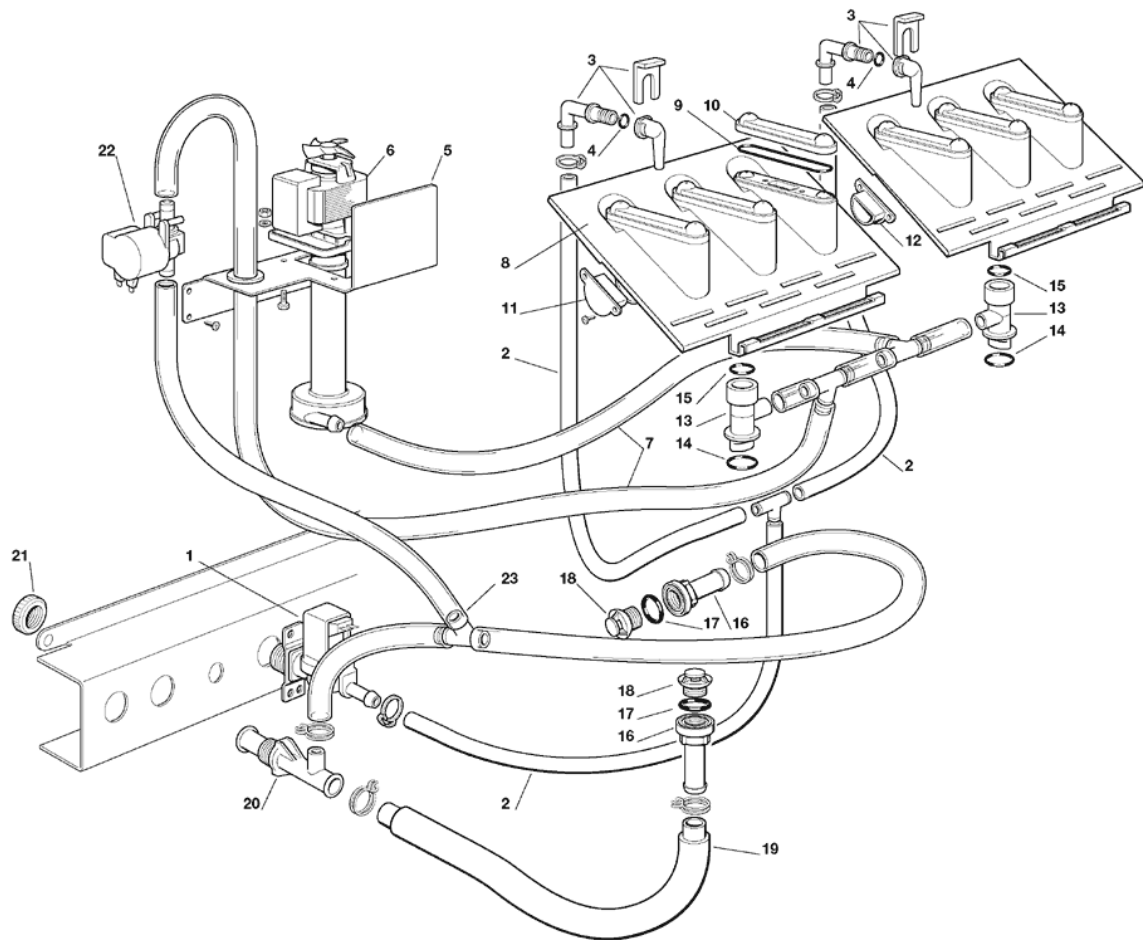
POSITION	CODE	DESCRIPTION
0001	791087 01	UNIT BASE
0002	782105 01R	STORAGE BIN ASSY
0003	660839 00	SUMP/EVAPORATOR HOUSING
0004	660784 01	LEFT SIDE TRACK
0005	660784 00	RIGHT SIDE TRACK
0006	660388 00	CURTAIN BRACKET (RIGHT)
0007	784457 09R	CURTAIN ASSY
0007	784457 12R	CURTAIN ASSY - SMALL CUBES
0008	660388 01	CURTAIN BRACKET (LEFT)
0009	660741 00	PLASTIC PLUG
0010	460047 00	SPRING
0011	660816 00	SHOCK ABSORBER
0012	660832 00	LEFT SIDE DOOR FRAME
0013	660832 01	RIGHT SIDE DOOR FRAME
0014	660785 01	UPPER DOOR FRAME
0015	660833 01	BOTTOM DOOR FRAME
0016	722201 00	LEFT SIDE PANEL
0017	722200 00	RIGHT SIDE PANEL
0018	702423 00	REAR PANEL
0019	702415 00	REAR BOTTOM PANEL
0020	742033 06	EVAPORATOR COVER
0021	722014 00	TOP PANEL
0022	650904 01	INSULATION
0022	660828 01	PLASTIC COVER
0023	650806 00	THUMB SCREW
0024	721938 01	S.S. FRONT LINER
0025	660837 01	CORNER PROTECTION LEFT
0026	660837 00	CORNER PROTECTION RIGHT
0027	702422 00	METAL STRIP
0028	722202 00	FRONT PANEL - AIR
0028	722202 01	FRONT PANEL - WATER
0029	650850 00	SCOTSMAN LOGO
0030	660829 00	FRONT SWITCH PLASTIC PROTECTION
0031	660804 02	AIR FILTER SEAT
0032	660817 00	SLIDE, AIR FILTER
0033	660805 02	AIR FILTER
0034	650624 07	LABEL
0035	660786 01	BIN DOOR
0036	660286 00	BUSHING
0037	660831 00	RUBBER BRACKET, SANITISING BAG
0038	650909 00	SANITISING BAG
0039	650670 00	LEG KIT



<b>POSITION</b>	<b>CODE</b>	<b>DESCRIPTION</b>
0001	670099 03	COMPRESSOR - 230/50/1
0001	670099 08	COMPRESSOR 230/60/1
0001	670099 12	COMPRESSOR - 115/60/1
0005	620058 42	PROTECTOR 230/50
0005	620058 79	PROTECTOR 230/60
0005	620058 84	PROTECTOR 115/60
0009	620057 45	RELAY - 230/50-60
0009	620057 53	RELAY - 115/60
0010	620167 00	START CAPACITOR 88-108MFD/330V
0010	620167 01	START CAPACITOR 64-77 MFD/330V
0010	620167 41	START CAPACITOR 115/60
0012	650109 00	VALVE BODY
0013	670012 00	VALVE CORE
0014	650106 00	CAP
0015	620440 00	CONDENSER A.C.
0019	620419 04	FAN MOTOR - 230/50-60
0019	620419 05	FAN MOTOR - 115/60
0019	620419 63	BRACKET
0020	620419 33	BLADE
0025	630137 01	MECHANICAL FILTER
0026	620306 17	COIL - 115/60
0026	620306 46	HOT GAS VALVE BODY
0026	620306 48	COIL - 230/50-60
0027	630003 06	FILTER
0028	784263 12	EVAPORATOR ASSY - MEDIUM
0028	784263 13	EVAPORATOR ASSY - LARGE
0028	784283 04	EVAPORATOR ASSY - SMALL CUBES
0029	784632 05	ACCUMULATOR/SUCTION LINE

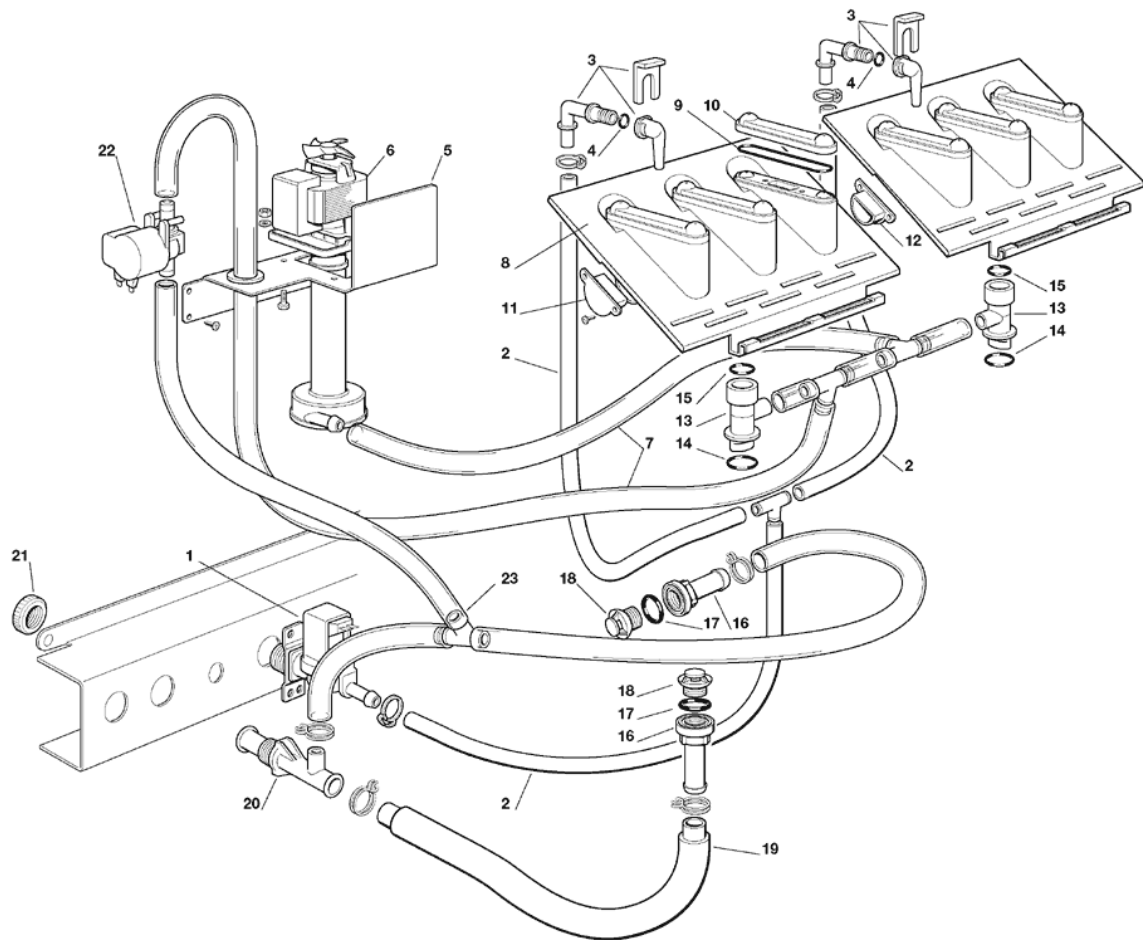


POSITION	CODE	DESCRIPTION
0001	670099 03	COMPRESSOR - 230/50/1
0001	670099 08	COMPRESSOR 230/60/1
0001	670099 12	COMPRESSOR - 115/60/1
0005	620058 42	PROTECTOR 230/50
0005	620058 79	PROTECTOR 230/60
0005	620058 84	PROTECTOR 115/60
0009	620057 45	RELAY - 230/50-60
0009	620057 53	RELAY - 115/60
0010	620167 00	START CAPACITOR 88-108MFD/330V
0010	620167 01	START CAPACITOR 64-77 MFD/330V
0010	620167 41	START CAPACITOR 115/60
0012	650109 00	VALVE BODY
0013	670012 00	VALVE CORE
0014	650106 00	CAP
0015	620495 02	CONDENSER
0018	400053 00	NUT
0019	400052 00	WASHER
0020	733204 00	WATER INLET FITTING
0021	620111 00	WATER REGUL. VALVE
0022	733208 02	COUPLING
0024	281900 01	TUBE 16X10
0025	660291 00	TEE TUBE (D13)
0026	400031 00	WASHER
0027	400030 01	NUT
0029	281900 01	TUBE 16X10
0030	630020 01	STRAINER
0030	630137 01	MECHANICAL FILTER
0031	620306 17	COIL - 115/60
0031	620306 46	HOT GAS VALVE BODY
0031	620306 48	COIL - 230/50-60
0032	630003 06	FILTER
0033	784263 12	EVAPORATOR ASSY - MEDIUM
0033	784263 13	EVAPORATOR ASSY - LARGE
0033	784283 04	EVAPORATOR ASSY - SMALL CUBES
0034	784632 05	ACCUMULATOR/SUCTION LINE

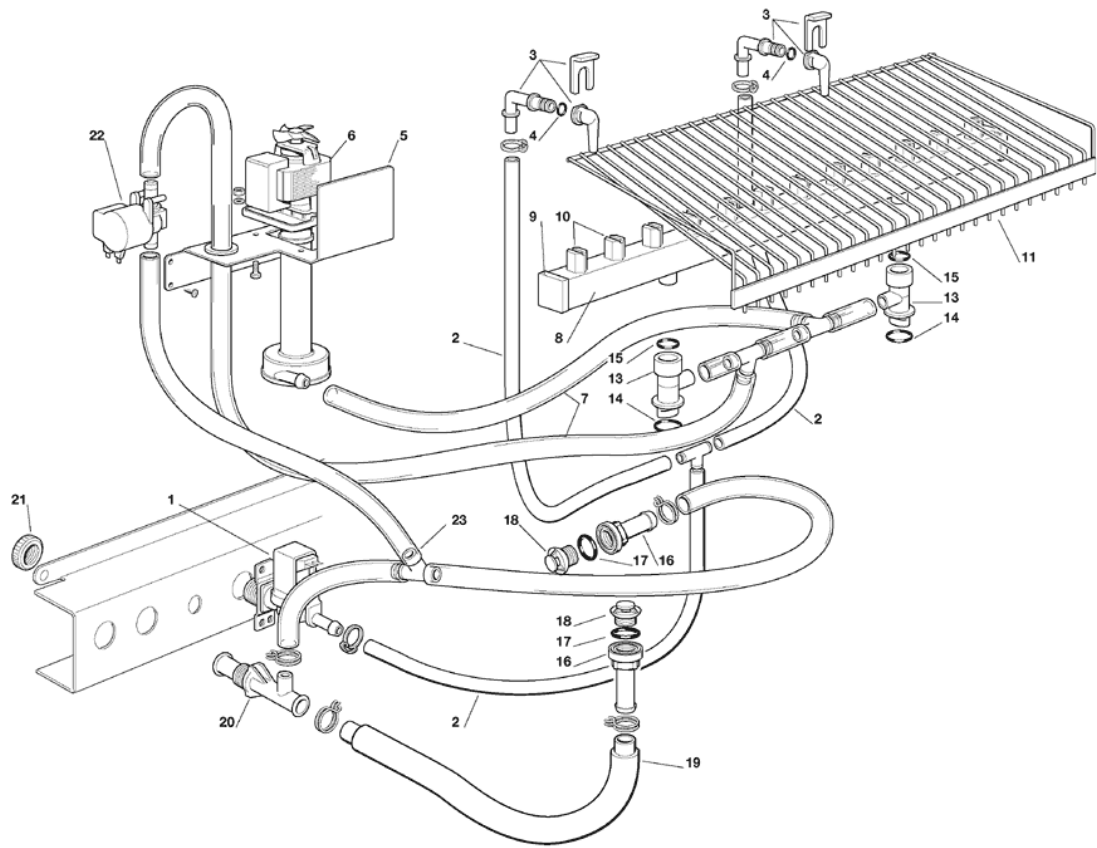




<b>POSITION</b>	<b>CODE</b>	<b>DESCRIPTION</b>
0001	650105 52	WATER IN. VALVE - 230/50-60 - AIR COOLED
0001	650105 55	WATER INLET VALVE - 115/60 - AIR COOLED
0002	281900 01	TUBE 16X10
0003	793172 00R	WATER INLET ELBOW ASSY
0004	640041 31	O RING
0005	724415 00	WATER PUMP BRACKET
0006	620430 06	WATER PUMP - 230/50
0006	620430 07	WATER PUMP - 115/60
0006	620430 08	WATER PUMP - 230/60
0007	610206 00	TUBE
0008	793129 10	SPRAY SYSTEM ASSY
0009	640041 20	O RING
0010	060529 00	SPRAY COVER KIT
0011	660520 03	LEFT PLUG
0012	660520 02	RIGHT PLUG
0013	660777 00	SPRAY SYSTEM SEAT
0014	640134 00	O RING 4093
0015	640041 32	O RING
0016	660219 02	BIN DRAIN
0017	640134 00	O RING 4093
0018	660211 01	DRAIN FILTER
0019	610148 10	TUBE
0020	660224 00	TEE TUBE
0021	660535 00	PLASTIC NUT
0023	610207 00	TUBE

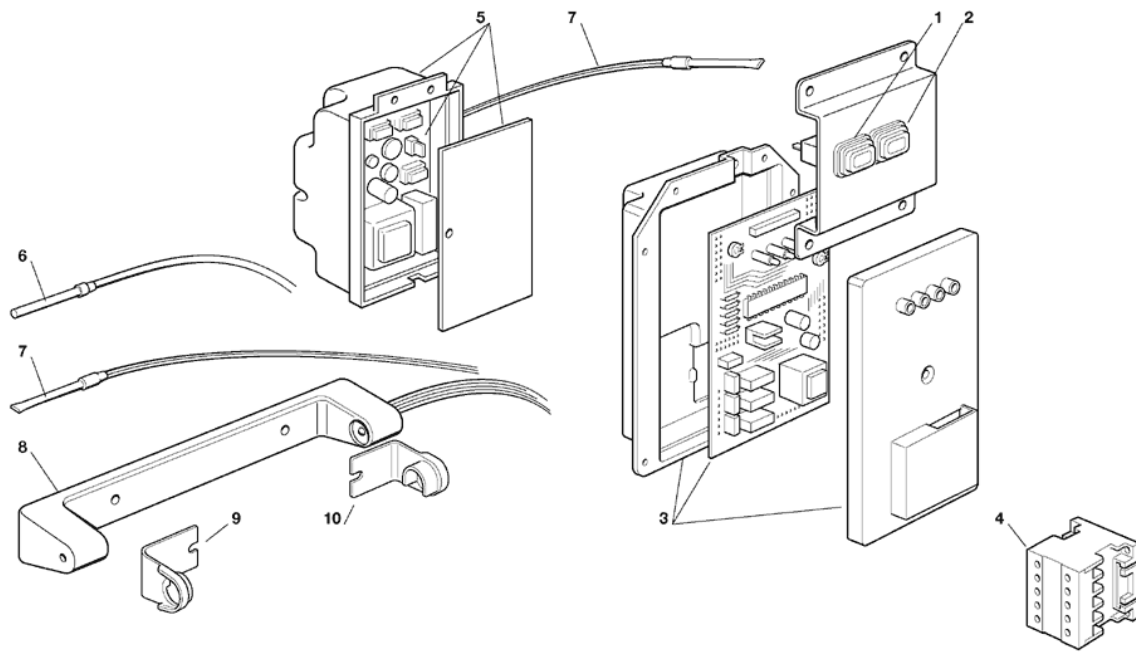


<b>POSITION</b>	<b>CODE</b>	<b>DESCRIPTION</b>
0001	650105 52	WATER IN. VALVE - 230/50-60 - AIR COOLED
0001	650105 55	WATER INLET VALVE - 115/60 - AIR COOLED
0002	281900 01	TUBE 16X10
0003	793172 00R	WATER INLET ELBOW ASSY
0004	640041 31	O RING
0005	724415 00	WATER PUMP BRACKET
0006	620430 06	WATER PUMP - 230/50
0006	620430 07	WATER PUMP - 115/60
0006	620430 08	WATER PUMP - 230/60
0007	610206 00	TUBE
0008	793129 10	SPRAY SYSTEM ASSY
0009	640041 20	O RING
0010	060529 00	SPRAY COVER KIT
0011	660520 03	LEFT PLUG
0012	660520 02	RIGHT PLUG
0013	660777 00	SPRAY SYSTEM SEAT
0014	640134 00	O RING 4093
0015	640041 32	O RING
0016	660219 02	BIN DRAIN
0017	640134 00	O RING 4093
0018	660211 01	DRAIN FILTER
0019	610148 10	TUBE
0020	660224 00	TEE TUBE
0021	660535 00	PLASTIC NUT
0022	620460 00	WATER DRAIN VALVE
0023	610207 00	TUBE



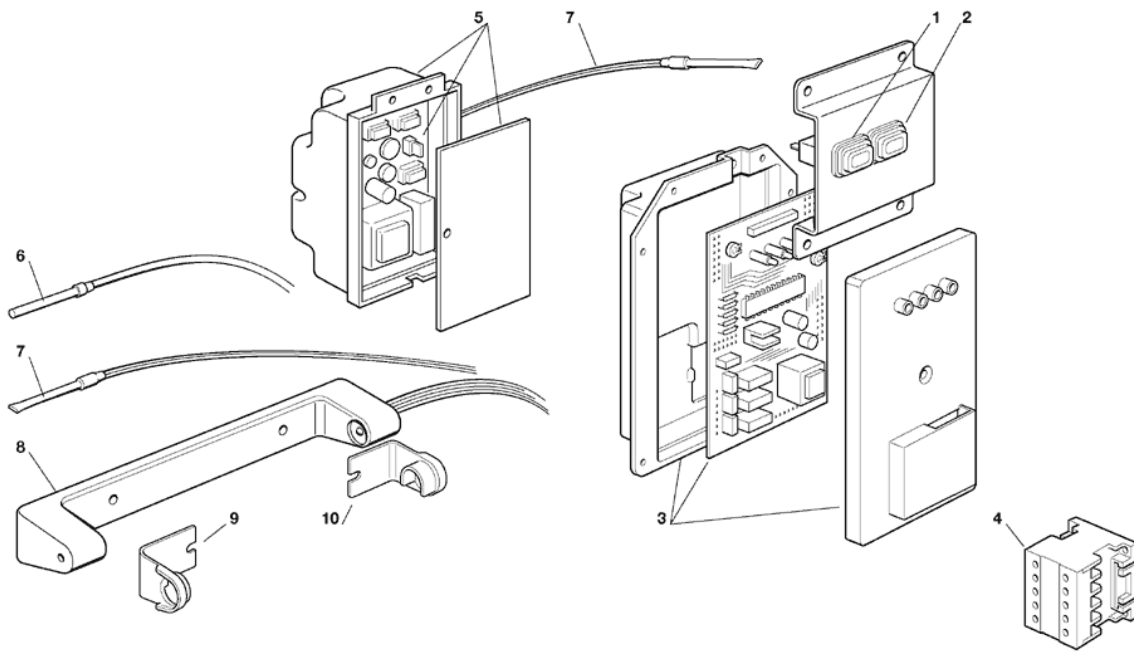
<b>POSITION</b>	<b>CODE</b>	<b>DESCRIPTION</b>
0001	650105 52	WATER IN. VALVE - 230/50-60 - AIR COOLED
0001	650105 55	WATER INLET VALVE - 115/60 - AIR COOLED
0002	281900 01	TUBE 16X10
0003	793172 00R	WATER INLET ELBOW ASSY
0004	640041 31	O RING
0005	724415 00	WATER PUMP BRACKET
0006	620430 06	WATER PUMP - 230/50
0006	620430 07	WATER PUMP - 115/60
0006	620430 08	WATER PUMP - 230/60
0007	610206 00	TUBE
0008	650665 35	SPRAY BAR - LARGE
0009	660557 00	SPRAY CUP
0010	660558 00	SPRAY NOZZLE
0011	650684 01	CHUTE
0013	660777 01	SPRAY SYSTEM SEAT
0014	640134 00	O RING 4093
0015	640041 32	O RING
0016	660219 02	BIN DRAIN
0017	640134 00	O RING 4093
0018	660211 01	DRAIN FILTER
0019	610148 10	TUBE
0020	660224 00	TEE TUBE
0021	660535 00	PLASTIC NUT
0022	620460 00	WATER DRAIN VALVE
0023	610207 00	TUBE

# Scotsman® 7 - CONTROL BOX AND P.C. BOARD - UP TO S.N. 02006



# Scotsman® 7 - CONTROL BOX AND P.C. BOARD - UP TO S.N. 02006

POSITION	CODE	DESCRIPTION
0001	060666 00	SWITCHES ASSY
0002	060666 00	SWITCHES ASSY
0003	620462 00	PC BOARD ASSY - 230/50-60
0004	630119 02	CONTACTOR - 230/50-60
0005	785104 02R	PC BOARD ASSY - CLEANING REMIND - 230V
0006	620404 10	EVAPORATOR SENSOR
0007	620404 11	CONDENSER SENSOR
0008	650674 05	ICE LEVEL SENSOR
0009	660720 00	PLASTIC COVER
0010	660720 01	PLASTIC COVER

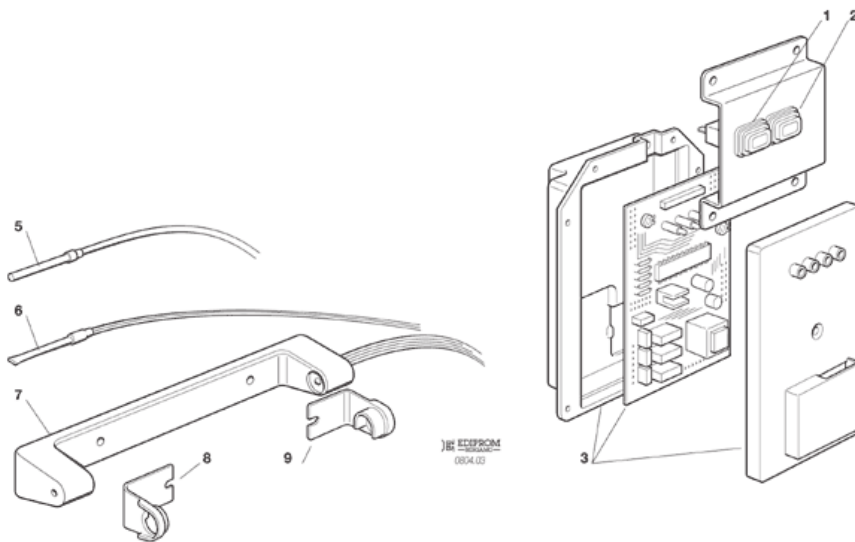






CONTROL BOX AND P.C. BOARD ASSY - FROM S.N. 02007 TO S.N. 02931

POSITION	CODE	DESCRIPTION
0001	620487 03	PUSH BUTTON SWITCH
0001	620487 04	PLASTIC PROTECTION
0001	620504 00	WARNING LIGHT
0002	620487 02	LIGHTED SWITCH
0002	620487 04	PLASTIC PROTECTION
0003	620462 00	PC BOARD ASSY - 230/50-60
0003	620462 01	P. C. BOARD ASSY - 115/60/1
0004	630119 02	CONTACTOR - 230/50-60
0004	630124 07	CONTACTOR - 115/60
0005	785104 02R	PC BOARD ASSY - CLEANING REMIND - 230V
0005	785104 03R	PC BOARD ASSY - CLEANING REMIND - 115V
0006	620404 10	EVAPORATOR SENSOR
0007	620404 11	CONDENSER SENSOR
0008	650674 05	ICE LEVEL SENSOR
0009	660720 00	PLASTIC COVER
0010	660720 01	PLASTIC COVER

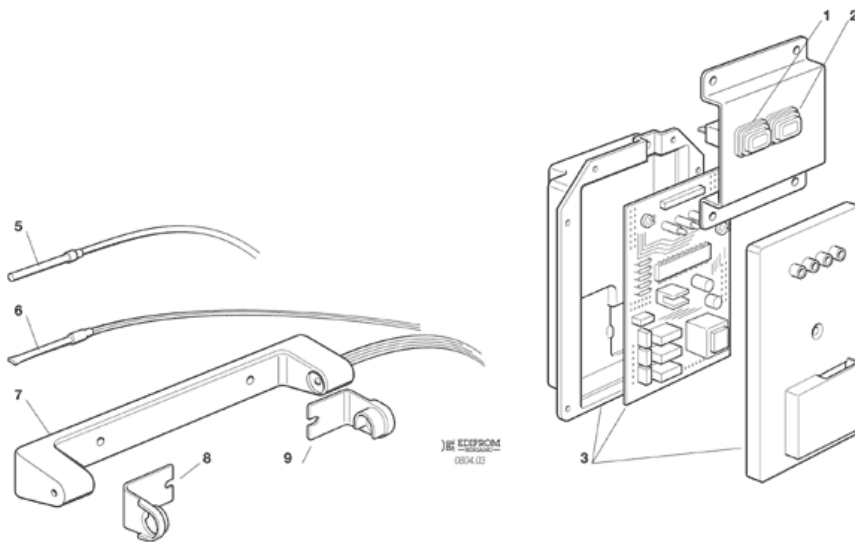




**CONTROL BOX AND P.C. BOARD ASSY - FROM S.N. 02932 TO S.N. 03710**

<b>POSITION</b>	<b>CODE</b>	<b>DESCRIPTION</b>
0001	620487 03	PUSH BUTTON SWITCH
0001	620487 04	PLASTIC PROTECTION
0001	620504 00	WARNING LIGHT
0002	620487 02	LIGHTED SWITCH
0002	620487 04	PLASTIC PROTECTION
0003	620462 06	PC BOARD
0005	620404 10	EVAPORATOR SENSOR
0006	620404 11	CONDENSER SENSOR
0007	650674 05	ICE LEVEL SENSOR
0008	660720 00	PLASTIC COVER
0009	660720 01	PLASTIC COVER

# Scotsman® - CONTROL BOX AND P.C. BOARD ASSY - FROM S.N. 03711



**Scotsman**™ - CONTROL BOX AND P.C. BOARD ASSY - FROM S.N. 03711

POSITION	CODE	DESCRIPTION
0001	620487 01	WARNING LIGHT - RESET BUTTON
0002	620487 00	MASTER LIGHTED SWITCH
0003	620462 06	PC BOARD
0005	620404 10	EVAPORATOR SENSOR
0006	620404 11	CONDENSER SENSOR
0007	650674 05	ICE LEVEL SENSOR
0008	660720 00	PLASTIC COVER
0009	660720 01	PLASTIC COVER